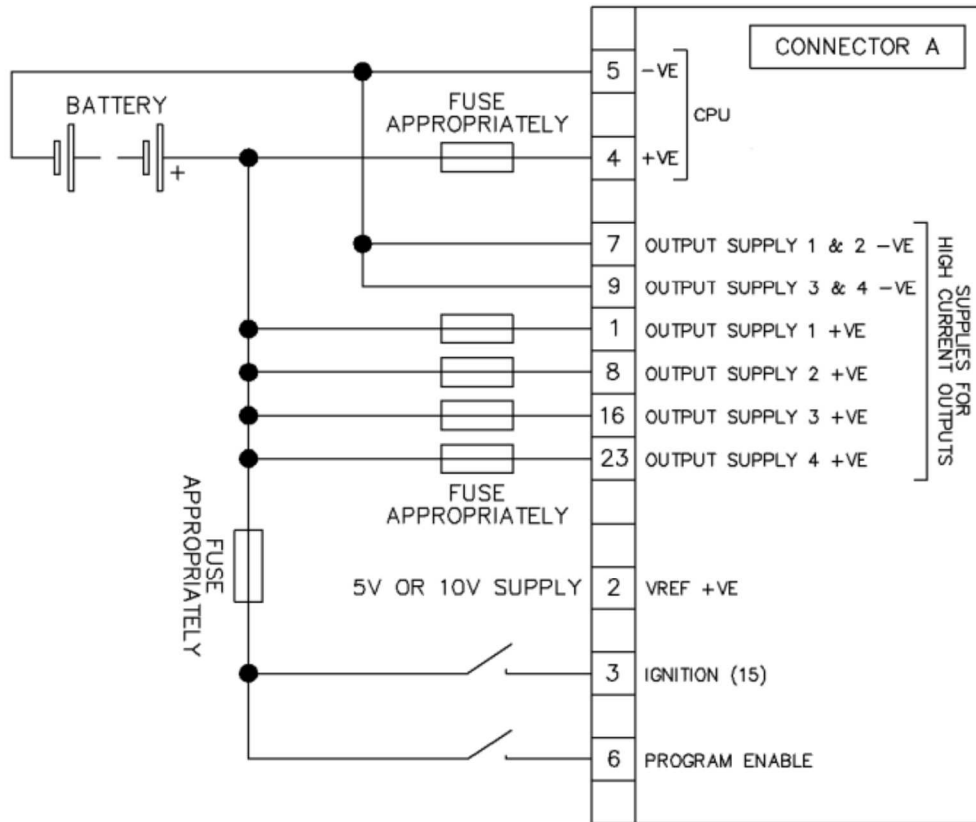


# FUSING

Select fuses appropriately to protect the circuits connected to the device's outputs.

Pin	Description	Used to Supply Outputs on Pins
1	Output Supply 1	B1, B13, B24, B25, B26, B27, B32, B33, B34, B35
3	Ignition (15)	1 A Fuse
4	ECU Supply	3 A Fuse
8	Output Supply 2	B2, B3, B4, B5, B10, B11, B12, B23
16	Output Supply 3	C24, C25, C26, C27, C32, C33, C34, C35
23	Output Supply 4	C1, C2, C3, C4, C5, C10, C11, C12, C13, C23

**NOTE:** Unused cores, in particular core loops, lead to interference coupling that influence the connected controller.



## DEEP SEA ELECTRONICS PLC M640 Installation Instructions

053-186 ISSUE 2

These instructions are intended as a quick guide only. For complete instructions and specifications, refer to DSE part number 057-244 M640 Operator Manual available from [www.deepseapl.com](http://www.deepseapl.com).

**NOTE:** Cables / wires must be installed as indicated by the manufacturer to prevent water entering the device. Part number of suitable connectors are detailed in DSE part number 057-244 M640 Operator Manual available from [www.deepseapl.com](http://www.deepseapl.com).

**NOTE:** M12 protection plugs must be installed in both the USB and Ethernet interfaces to ensure IP67 rating.

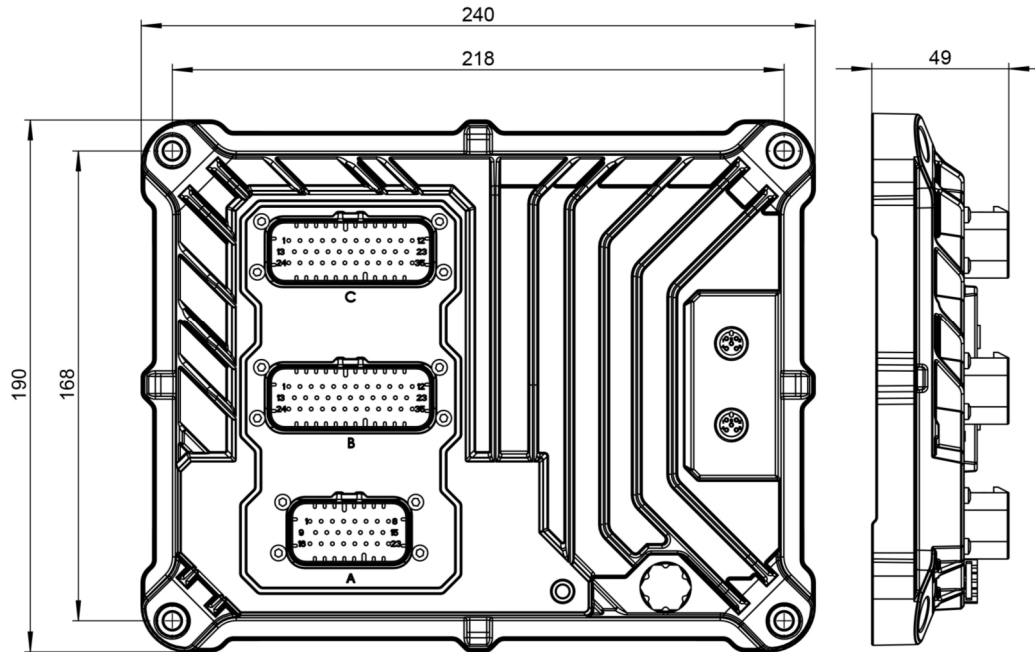
**NOTE:** To ensure the protection of the device against electrical interference and the safe function of the device, the housing must be connected to the ground of the vehicle / machine.

**NOTE:** Software and associated Device Descriptors are available from [www.deepseapl.com](http://www.deepseapl.com).

**Deep Sea Electronics PLC**  
Tel: +44 (0)1723 890099  
Fax: +44 (0)1723 893303  
Email: [sales@deepseapl.com](mailto:sales@deepseapl.com)  
Web: [www.deepseapl.com](http://www.deepseapl.com)

**Deep Sea Electronics Inc**  
Tel: +1 (815) 316-8706  
Fax: +1 (815) 316-8708  
Email: [sales@deepseausa.com](mailto:sales@deepseausa.com)  
Web: [www.deepseausa.com](http://www.deepseausa.com)

## DIMENSIONS

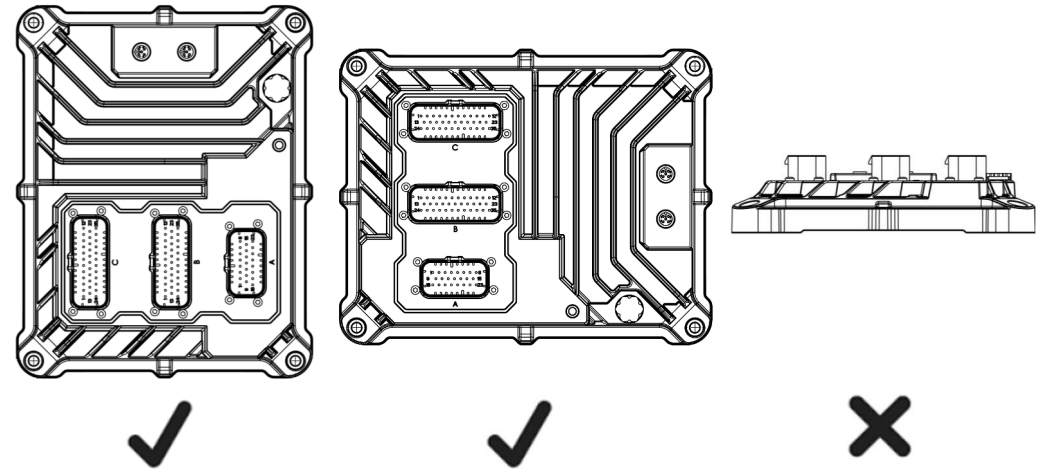


Dimensions in mm

Overall Dimensions	240 mm x 190 mm x 49 mm (9.45 " x 7.48 " x 1.46 ")
Mounting Holes	Suitable for M6 bolts
Mounting Hole Centres	218 mm x 168 mm (8.58 " x 6.61 ")
Mounting Bolt Material Recommendation	Steel or Stainless Steel
Mounting Bolt Tightening Torque	8 Nm +/- 2 Nm
Overall Shipping Weight	1.58 kg

## MOUNTING

Install the controller in such a way to allow any condensation that may form to flow out.



## SURFACE

The controller must be mounted on a flat surface. Use compensating elements if there is no flat mounting surface available. For steel surfaces, ensure that it is protected against corrosion.

## CONNECTORS AND HARNESSSES

Description	DSE Part.	Manufacturer Part	Manufacturer
M640 Connector Kit (Set of 3)	007-035	770680-1 776164-4 776164-1	TE
M640 Connector Harness Kit (Set of 3)	007-036	N/A	DSE
M12 to Ethernet Cable	016-160	VS-M12MS-IP20-93R-L1/2	Phoenix
M12 to USB Cable	016-161	N/A	DSE